

HF VETERINARY SYSTEM

This fully-integrated, UL-listed table, tubestand and high frequency generator system requires as little as 11 square feet of floor space. Tube detents at 40 inches SID and angulates with mechanical lock. Grid cabinet and tubestand easily interlock for automatic alignment. Options include float top table and stationary table top extension.

SPECIFICATIONS

Space requirements	Column height: 82.5" Fixed table top: 53" wide, 28" deep 2-way table top: 58" x 44" 4-way table top: 75" x 44"
Mounting	Bolts to floor as desired. X-Ray Generator's Power Module & HV Transformer fits under table on metal shelf, provided.
Electrical access	All cables enter rear of table/control. Front cover of control removes for internal access.

ELECTRICAL REQUIREMENTS

See TDS020 for generator requirements.
The generator provides 24 VAC and 24 VDC supply voltages for table locks and collimation.

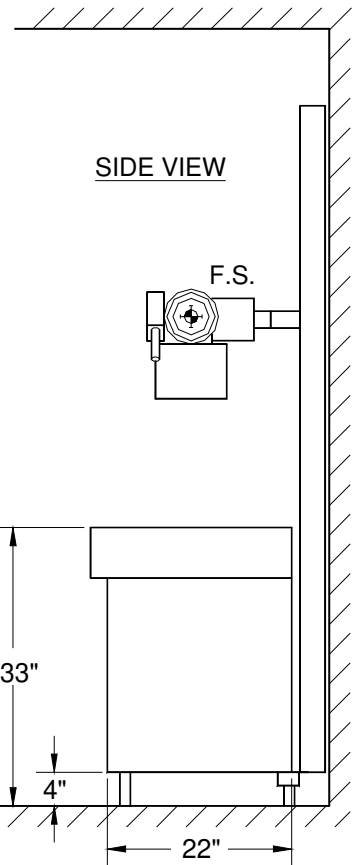
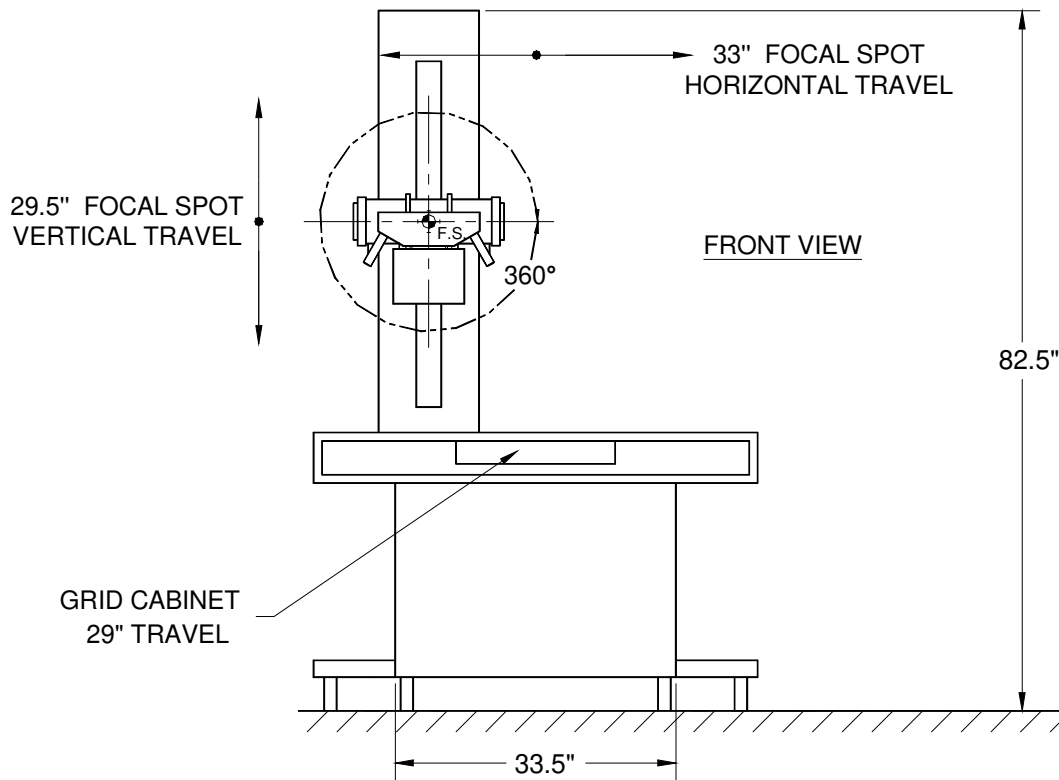
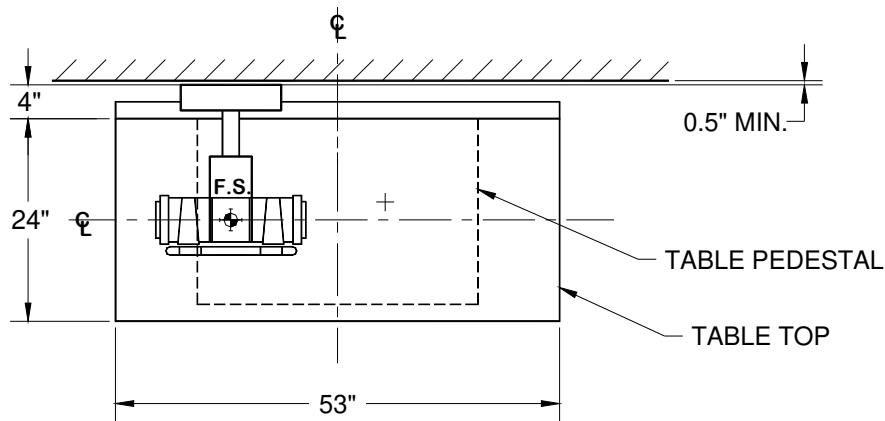
SHIPPING INFORMATION

CONTENTS	DIMENSIONS	WEIGHT
Tubestand	7.5" x 18" x 79"	130 lbs.
Table, collimator, accessories	4-way table top "71" x 35" x 58"	4-way table top: 420 lbs.
	Fixed table top: 59" x 33" x 54"	Fixed table top: 350 lbs.
Control, transformer, x-ray tube	54" x 34" x 36" palletted	300 lbs.

Specifications subject to change without notice.

STATIONARY TABLE TOP VETERINARY SYSTEM DRAWING

TOP VIEW



 = FOCAL SPOT (F.S.)

4-WAY TABLE TOP VETERINARY SYSTEM DRAWING

